



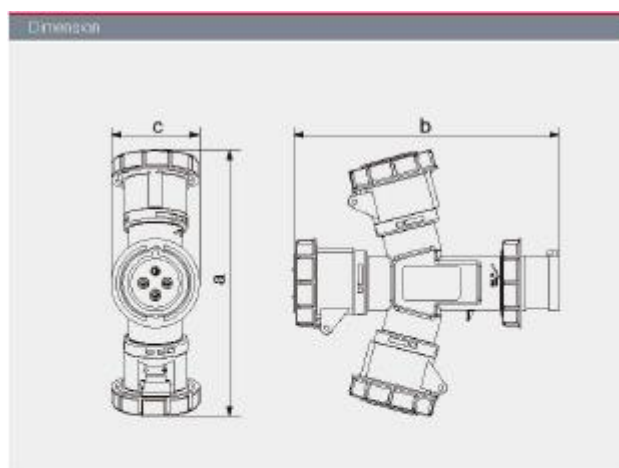
Product Code

VP34022



16A 2P+E 3 Way Industrial Splitter IP67

★ Rated current:16A
★ Rated voltage: AC 100-130~
★ No. of poles:2P+E
★ Protection degree: IP67
★ Housing material: Flame Retardant PA6 RoHS Reach Contact: nickel-plated brass RoHS Reach
★ Standards: IEC60309-1, IEC60309-2
★ Certificates: S,CB,CE,TUV,ISO9001:2008,RoHS,REACH



Current	16A			32A	
	3	4	5	3	4
a	221.5	238	248.5	274	274
b	220	238	250.5	272	272
c	71	79	86.5	93.5	93.5

